

SABINA

Motors & Controls

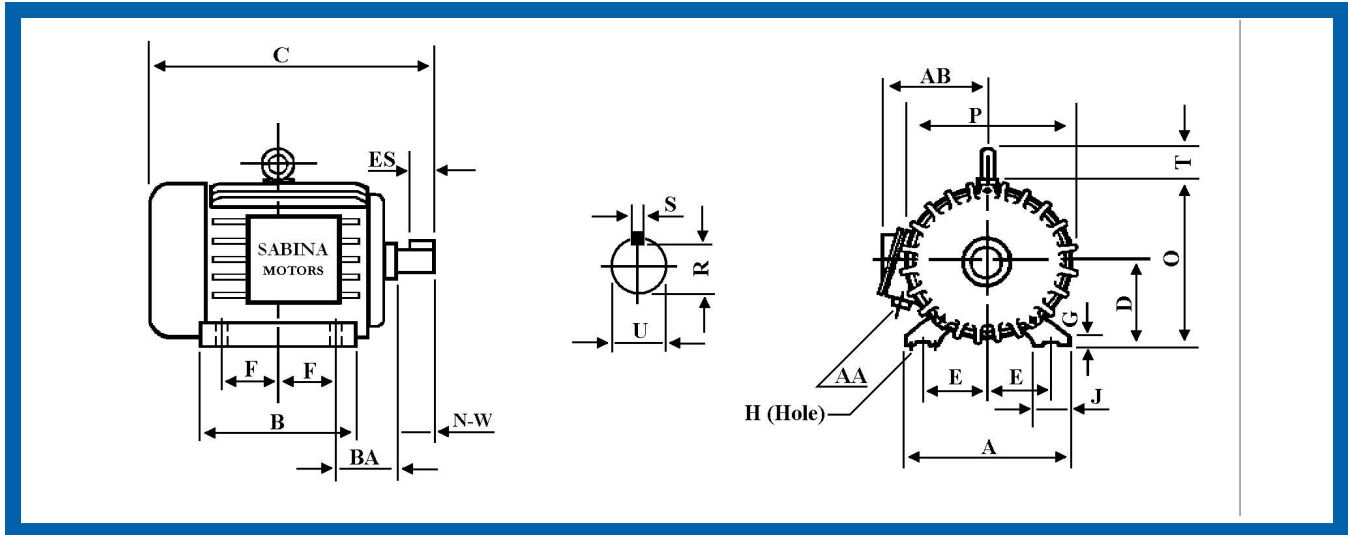
1440 Burton Place Anaheim, CA 92806

P: 714.956.0480 F: 714.956.0486

E: Sales@mc-w.com www.SabinaDrives.com

Industrial Duty Three-Phase Motors

Dimensions (Frames 143T - 586/7UZ)



Frame Size	A	B	C	D	E	F	G	H	J	N-W	O	P	R	S	T	U	ES	AA	AB	BA
143T	7	5	12.47	3.5	2.75	2	0.512	0.34	1.45	2.25	7.08	7.16	0.771	0.188	---	0.875	1.41	3/4	6.89	2.25
145T	7	6	13.466	3.5	2.75	2.5	0.512	0.34	1.45	2.25	7.08	7.16	0.771	0.188	---	0.875	1.41	3/4	6.89	2.25
182T	9	6.5	15.11	4.5	3.75	2.25	0.59	0.41	1.97	2.75	9	8.82	0.986	0.25	1.4	1.125	1.78	1	7.45	2.75
184T	9	7.5	16.116	4.5	3.75	2.75	0.59	0.41	1.97	2.75	9	8.82	0.986	0.25	1.4	1.125	1.78	1	7.45	2.75
213T	10.5	7.5	18.89	5.25	4.25	2.75	0.709	0.41	2.36	3.375	10.5	10.4	1.201	0.312	1.75	1.375	2.41	1	8.63	3.5
215T	10.5	9	20.488	5.25	4.25	3.5	0.709	0.41	2.36	3.375	10.5	10.4	1.201	0.312	1.75	1.375	2.41	1	8.63	3.5
254T	12.5	10.8	23.292	6.25	5	4.125	0.787	0.53	2.76	4	12.79	12.6	1.416	0.375	2.15	1.625	2.91	1.5	11.2	4.25
256T	12.5	12.5	25.058	6.25	5	5	0.787	0.53	2.76	4	12.79	12.6	1.416	0.375	2.15	1.625	2.91	1.5	11.2	4.25
284T	14	12.5	26.63	7	5.5	4.75	0.866	0.53	2.76	4.625	13.98	13.98	1.591	0.5	2.35	1.875	3.28	1.5	12	4.75
284TS	14	12.5	25.25	7	5.5	4.75	0.866	0.53	2.76	3.25	13.98	13.98	1.416	0.375	2.35	1.625	1.91	1.5	12	4.75
286T	14	14	28.182	7	5.5	5.5	0.866	0.53	2.76	4.625	13.98	13.98	1.591	0.5	2.35	1.875	3.28	1.5	12	4.75
286TS	14	14	26.8	7	5.5	5.5	0.866	0.53	2.76	3.25	13.98	13.98	1.416	0.375	2.35	1.625	1.91	1.5	12	4.75
324T	16	14	29.95	8	6.25	5.25	0.984	0.66	2.76	5.25	15.8	15.55	1.845	0.5	2.55	2.125	3.91	2	13.4	5.25
324TS	16	14	28.45	8	6.25	5.25	0.984	0.66	2.76	3.75	15.8	15.55	1.591	0.5	2.55	1.875	2.03	2	13.4	5.25
326T	16	15.5	31.236	8	6.25	6	0.984	0.66	2.76	5.25	15.8	15.55	1.845	0.5	2.55	2.125	3.91	2	13.4	5.25
326TS	16	15.5	29.74	8	6.25	6	0.984	0.66	2.76	3.75	15.8	15.55	1.591	0.5	2.55	1.875	2.03	2	13.4	5.25
364T	18	15.2	32.58	9	7	5.625	1.102	0.66	2.95	5.875	18.02	17.4	2.021	0.625	2.55	2.375	4.28	3	15.7	5.88
364TS	18	15.2	30.45	9	7	5.625	1.102	0.66	2.95	3.75	18.02	17.4	1.591	0.5	2.55	1.875	2.03	3	15.7	5.88
365T	18	16.2	34.114	9	7	6.125	1.102	0.66	2.95	5.875	18.02	17.4	2.021	0.625	2.55	2.375	4.28	3	15.7	5.88
365TS	18	16.2	31.45	9	7	6.125	1.102	0.66	2.95	3.75	18.02	17.4	1.591	0.5	2.55	1.875	2.03	3	15.7	5.88
404T	20	16.2	36.81	10	8	6.125	1.18	0.81	3.15	7.25	20.91	21.42	2.45	0.75	2.55	2.875	5.65	3	18.07	6.62
405T	20	17.8	38.35	10	8	6.875	1.18	0.81	3.15	7.25	20.91	21.42	2.45	0.75	2.55	2.875	5.65	3	18.07	6.62
405TS	20	17.8	35.354	10	8	6.875	1.18	0.81	3.15	4.25	20.91	21.42	1.845	0.5	2.55	2.125	2.78	3	18.07	6.62
444T	22	18.5	42.52	11	9	7.25	1.38	0.81	3.35	8.5	23.68	23.43	2.88	0.875	2.75	3.375	6.91	2 x 3	19.07	7.5
444TS	22	18.5	38.94	11	9	7.25	1.38	0.81	3.35	4.75	23.68	23.43	2.021	0.625	2.75	2.375	3.03	2 x 3	19.07	7.5
445T	22	20.5	44.5	11	9	8.25	1.38	0.81	3.35	8.5	23.68	23.43	2.88	0.875	2.75	3.375	6.91	2 x 3	19.07	7.5
445TS	22	20.5	40.71	11	9	8.25	1.38	0.81	3.35	4.75	23.68	23.43	2.021	0.625	2.75	2.375	3.03	2 x 3	19.07	7.5
447T	22	24	48.03	11	9	10	1.38	0.81	3.35	8.5	23.68	23.43	2.88	0.875	2.75	3.375	6.91	2 x 3	19.07	7.5
447TS	22	24	44.25	11	9	10	1.38	0.81	3.35	4.75	23.68	23.43	2.021	0.625	2.75	2.375	3.03	2 x 3	19.07	7.5
449T	22	31	55.27	11	9	12.5	1.575	0.81	3.35	8.5	23	23.62	2.88	0.875	4.25	3.375	6.91	2 x 3	19	7.5
505UZ	24.7	26	55	12.5	10	9	1.77	0.938	4.72	11.625	25.2	24.8	3.309	1	4.3	3.875	10	2 x 3	20.9	8.5
586/7	28.7	31.1	64.6	14.5	11.5	11	2.05	1.125	4.72	11.625	28.4	28.2	3.309	1	5	3.875	10	2 x 3	23.9	10
586/7UZ	28.7	31.1	64.6	14.5	11.5	11	2.05	1.125	4.72	11.625	28.4	28.2	3.817	1	5	4.375	10	2 x 3	23.9	10